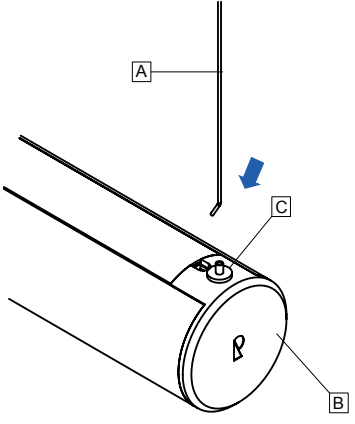


ATRINA

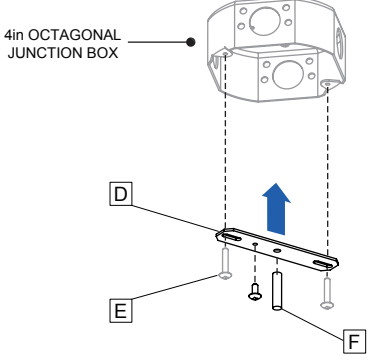
INSTALLATION

WARNING ! Installation should be performed by a qualified electrician in accordance with the National and Local Electrical Code.

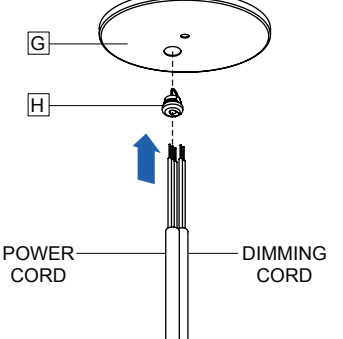
1 INSERT AIRCRAFT CABLE (A) INSIDE OF END CAP (B) USING GRIPPER (C) AS SHOWN.



2 INSTALL MOUNTING BRACKET BAR (D) INTO 4" OCTAGONAL JUNCTION BOX ON CEILING USING 2-WAYS #8 SCREWS (E) SUPPLIED BY OTHERS. ATTACH 1/4-20" THREADED STUD (F) TO BRACKET BAR (D).



3 PASS POWER CORD / DIMMING CORD THROUGH STRAIN RELIEF (H). INSERT STRAIN RELIEF (H) W/ POWER CORD INTO CLEARANCE HOLE LOCATED ON FEEDER CANOPY (G). SECURE IT IN PLACE.



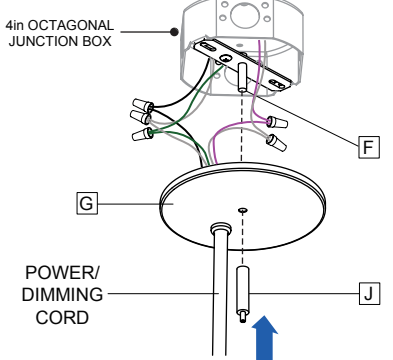
MAKE ELECTRICAL WIRING CONNECTION INSIDE OF JUNCTION BOX (BY OTHERS). FOR 0-10V DIMMING CIRCUITS, USE GREY & PURPLE WIRES. SEE WIRING DETAIL.

WIRING DETAIL:

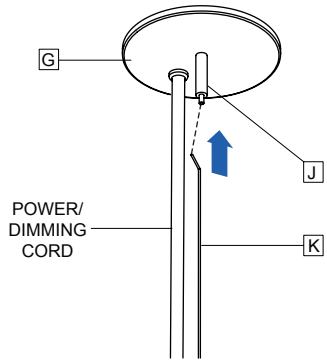
POWER FEEDING (color)	USE
White	Neutral
Black	Line 100-347V
GROUNDING	
Green	Ground
0-10V DIMMING	
Grey	Grey
Purple	Purple

4a MOUNT CANOPY (G) TO CEILING USING CABLE GRIPPER (J) & 1/4-20" ROD (F). TIGHTEN IT INTO PLACE.

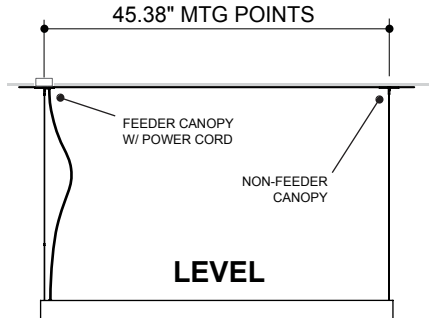
4b



5 INSERT AIRCRAFT CABLE (K) INTO CABLE GRIPPER (J) ADJUST AIRCRAFT CABLE (K) TO THE DESIRED HEIGHT AND SECURE IT IN PLACE.



6 REPEAT STEPS 1, 2, 4B, 5 FOR NON-FEEDER MOUNTING CANOPY SIDE BEFORE INSTALLING FEEDER CANOPY W/ POWER CORD.



45.38" MTG POINTS

FEEDER CANOPY W/ POWER CORD

NON-FEEDER CANOPY

LEVEL

IMPORTANT !