

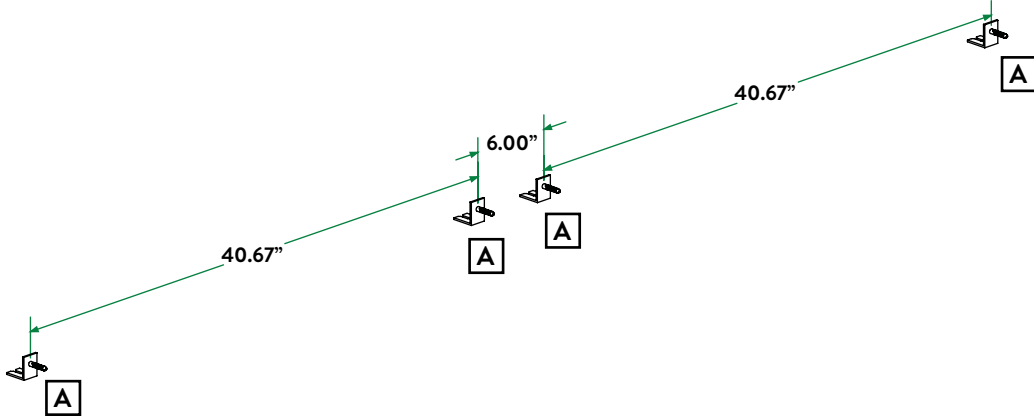
ATLDXI

INSTALLATION - WALL MOUNTING

2019-10-16

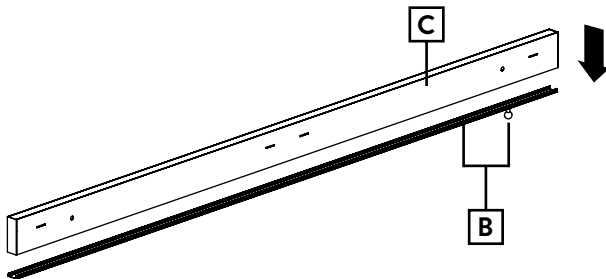
WARNING ! Installation should be performed by a qualified electrician in accordance with the National and Local Electrical Code.

Screw brackets **x4 (A)** onto wall with dimensions below. Level brackets.



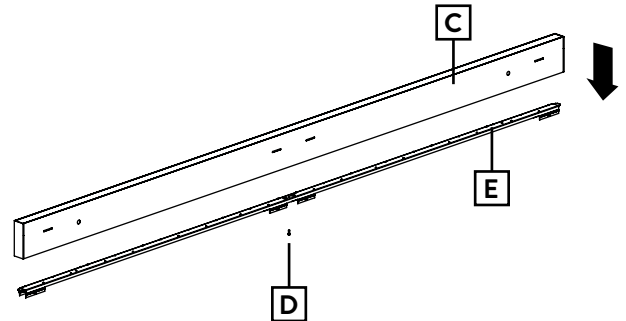
Remove lens with suction cup (**B**) from housing (**C**).

2



Remove screw **x1 (D)**. Pry LED tray (**E**) with modules from housing (**C**). Make wire connections supplied by others.

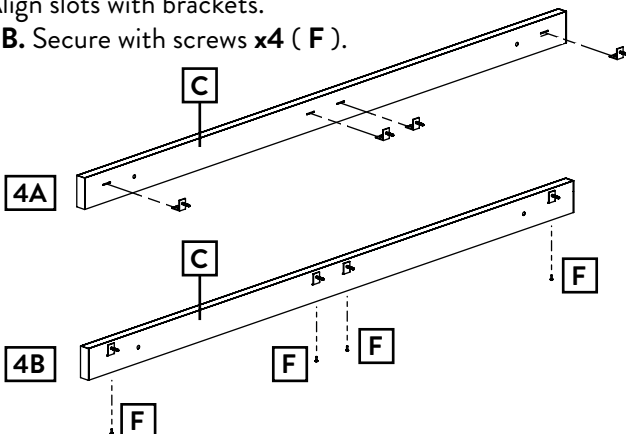
3



4A. Slide housing (**C**) onto wall bracket.
Align slots with brackets.

4

4B. Secure with screws **x4 (F)**.



Attach LED tray (**E**) with screw **x1 (D)** to housing (**C**). Snap fit lens (**B**) into housing (**C**).

5

