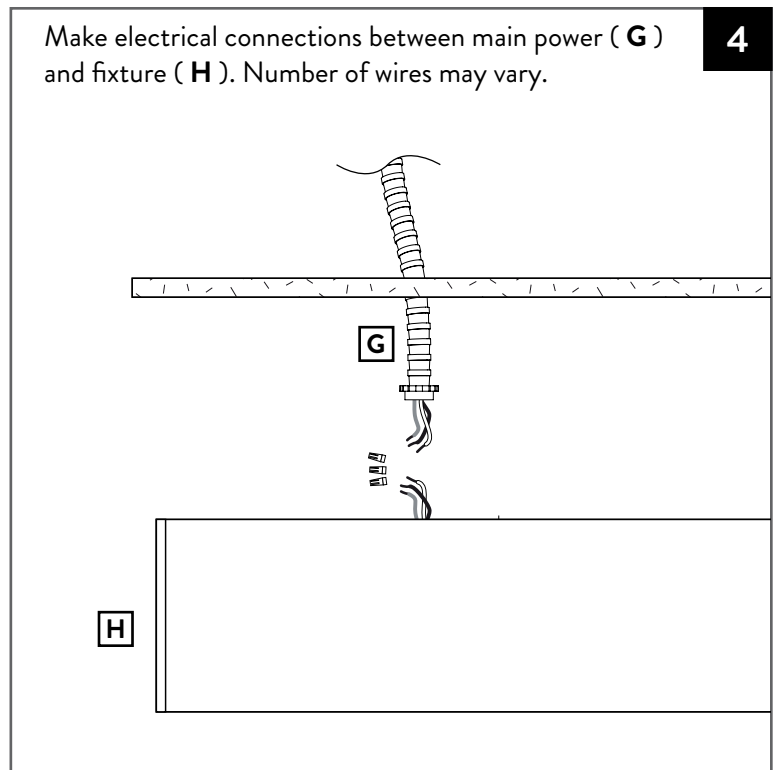
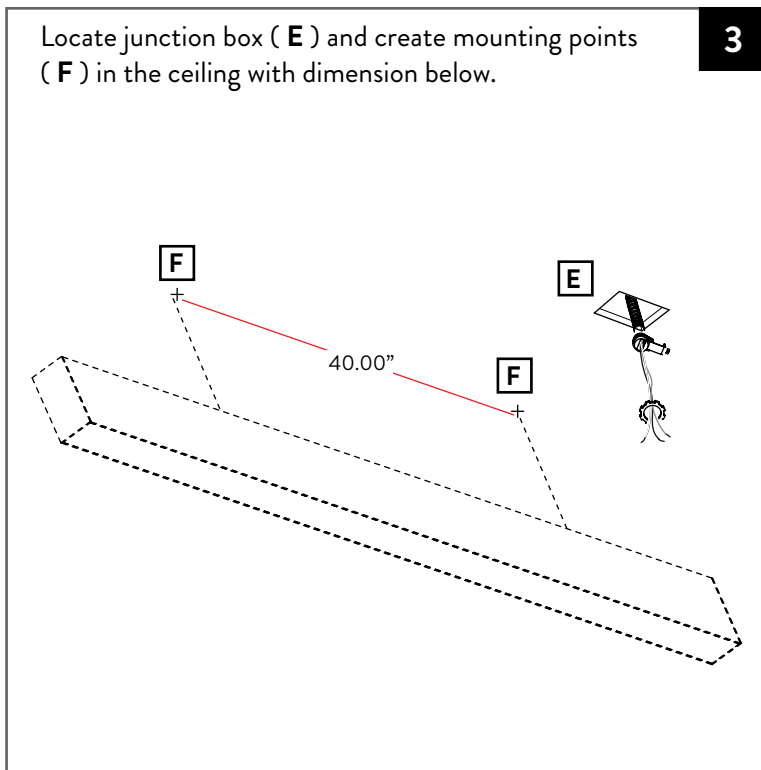
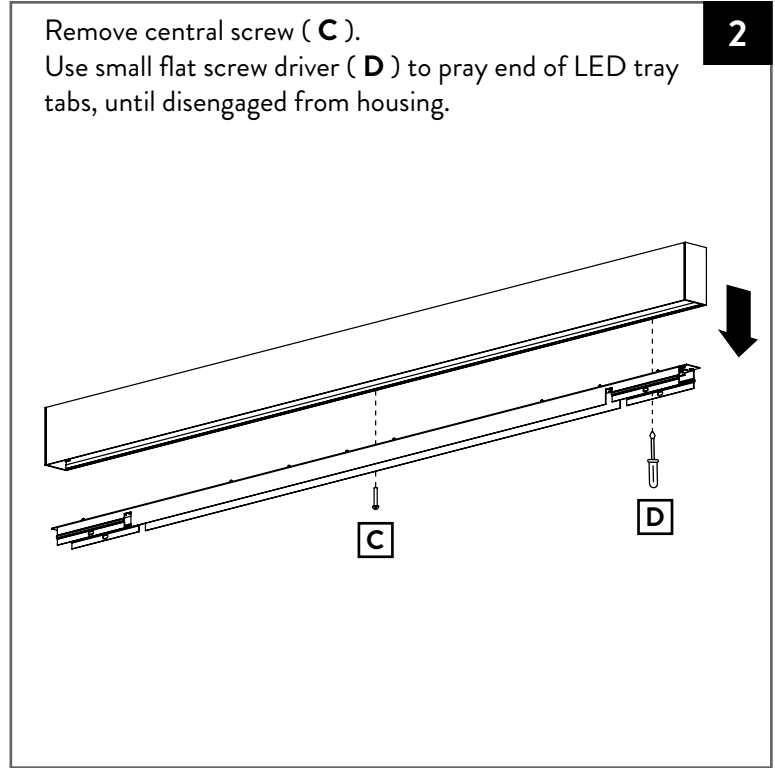
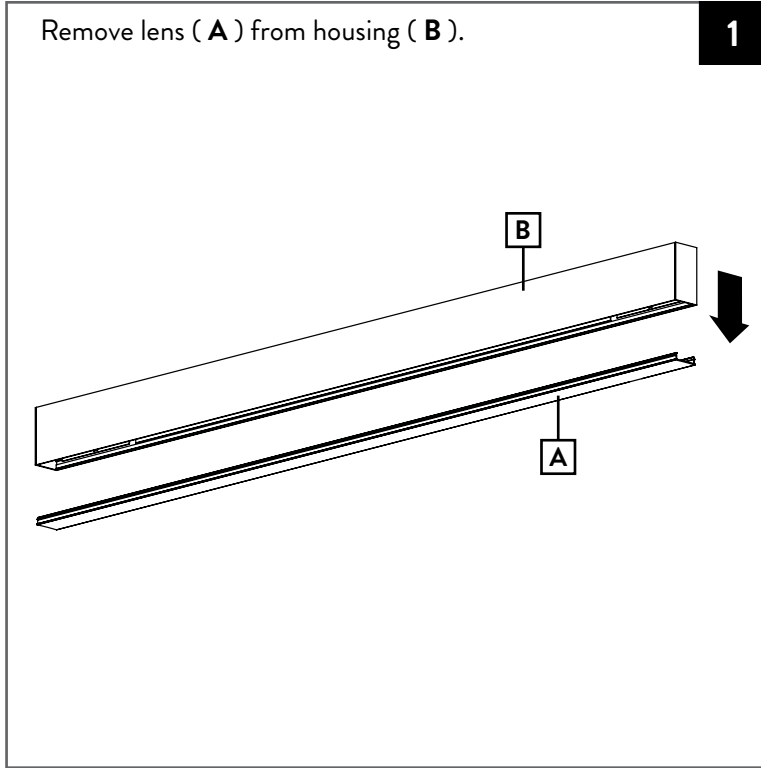


ATLDXI

INSTALLATION - SURFACE MOUNTING

2019-10-15

WARNING ! Installation should be performed by a qualified electrician in accordance with the National and Local Electrical Code.



ATLDXI

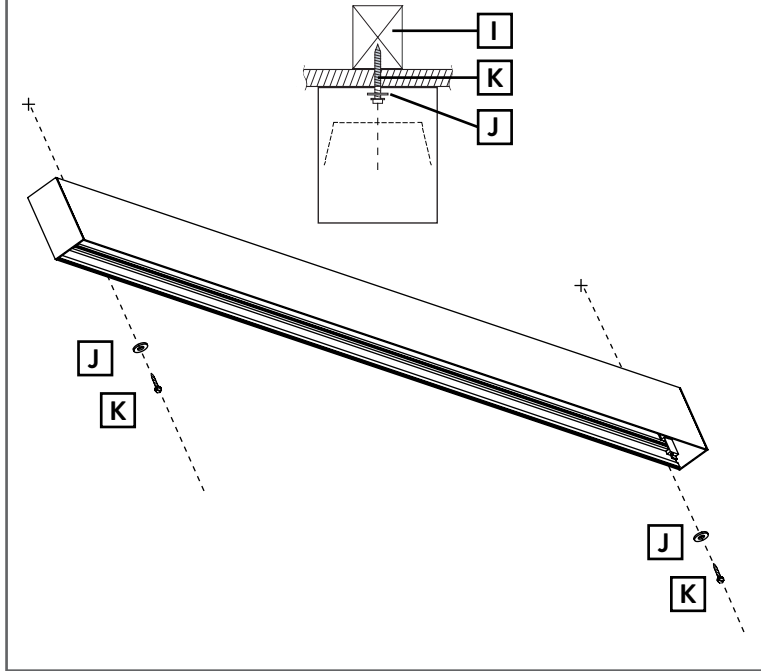
INSTALLATION - SURFACE MOUNTING

2019-10-15

WARNING ! Installation should be performed by a qualified electrician in accordance with the National and Local Electrical Code.

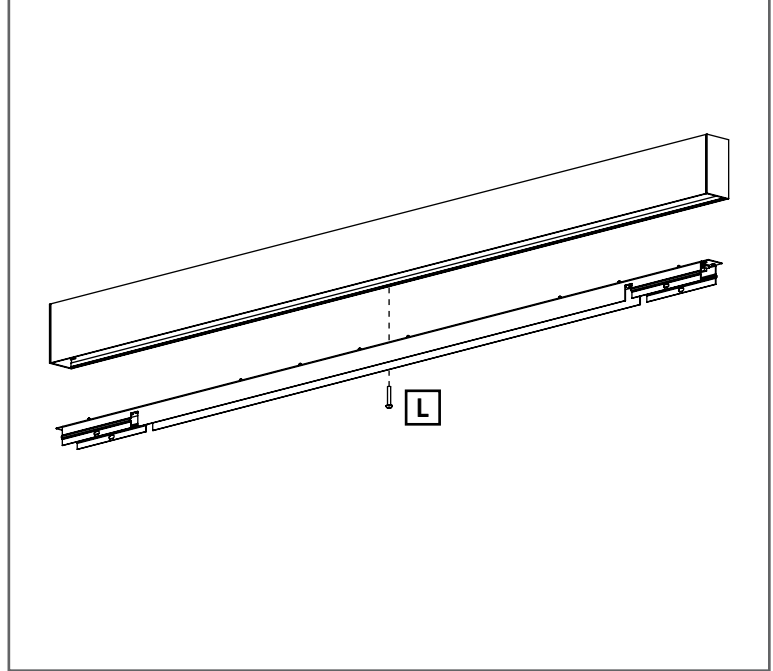
x2 - Fasten fixture to threaded stud (**I**) using washer (**J**) and screw (**K**).

5



Reinstall LED tray by snapping the tray into the housing and secure with central screw (**L**).

6



Reinstall lens (**A**) to housing (**B**).

7

