

PROJECT:  
CAT.NO:  
NOTES:

DATE:  
TYPE:  
VOLTS:

**TEKNO**  
SERIES

# ATHTP

Horizontal . Transparent . Plane



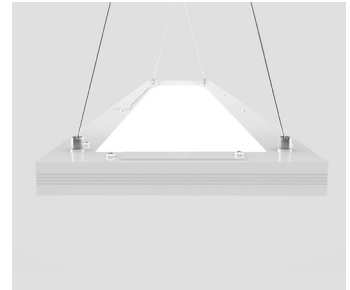
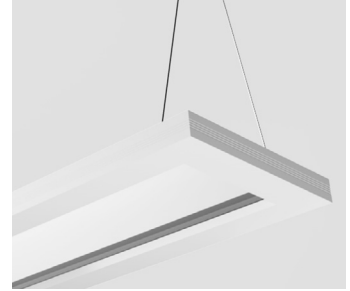
SUSPENDED

## GENERAL DESCRIPTION

**LED luminaire** for **suspended** installation with aircraft cables.

When on, up and down light provides a superior quality of soft lighting. When off, the clean and modern design makes it nearly transparent.

Ideal for indoor environments, such as offices, hospitals and schools.



2019-07-17

## CONSTRUCTION

Aluminum extrusion.  
Internal driver included.  
Edge-lit LED light engine.

## FINISH

Matte white polyester baked powder coat enamel.



## CERTIFICATION

Approved to UL1598 and CSA C22.2 No. 250 standards\*\*  
Suitable for damp locations.



\*LED Five (5) year limited warranty.  
\*\*Normal temperature: -20 degrees Celsius to +25 degrees Celsius.  
\*\*\*Not all available products are DLC qualified. Check the DLC Qualified Products List at [designlights.org](http://designlights.org) to confirm which versions are qualified.

## SHIELDING

PMMA.

## ELECTRICAL

3500K 4000K 5000K

120V - 277V

L80 performance at 60,000 hours minimum. 80 CRI Standard.  
Other dimming options, lumen options, 90CRI and lengths available.  
Consult factory.

Specifications are subject to change.  
Please confirm latest specifications prior to placing order.

## ORDERING INFORMATION

ATHTP					MV		
WIDTH	LENGTH	WATTAGE	CCT	MOUNTING *OPTIONAL*	POWER CORD *OPTIONAL*	DRIVER	
08 = 8"	4 = 4ft	40W = 40 Watts	35K = 3500K 40K = 4000K 50K = 5000K	A4 = 48in Aircraft Cable	C1 = 5ft Cord	MV = Standard 120V-277V Dimming (0-10V)  *emergency driver available, consult factory	
	8 = 8ft	80W = 80 Watts		A8 = 96in Aircraft Cable	C4 = 8ft Cord		
12 = 12"	4 = 4ft	54W = 54 Watts		*other cords and row mounting options available, consult factory			

PROJECT:  
CAT.NO:  
NOTES:

DATE:  
TYPE:  
VOLTS:

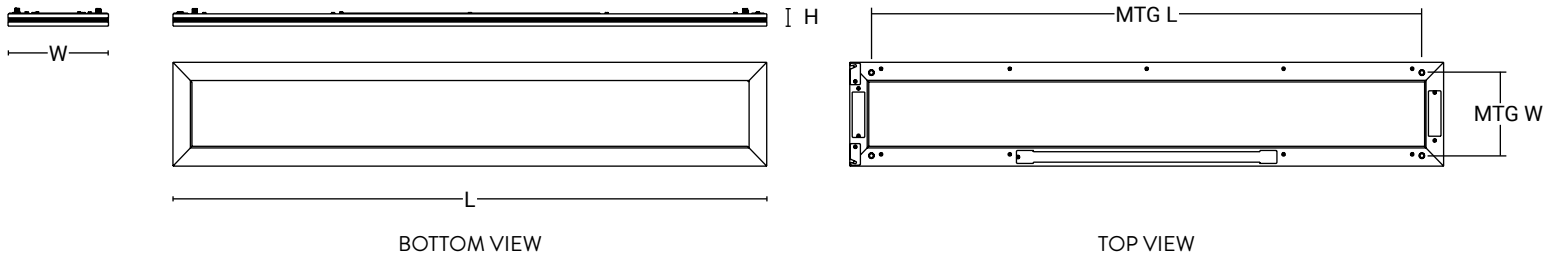
**TEKNO**  
SERIES

# ATHTP

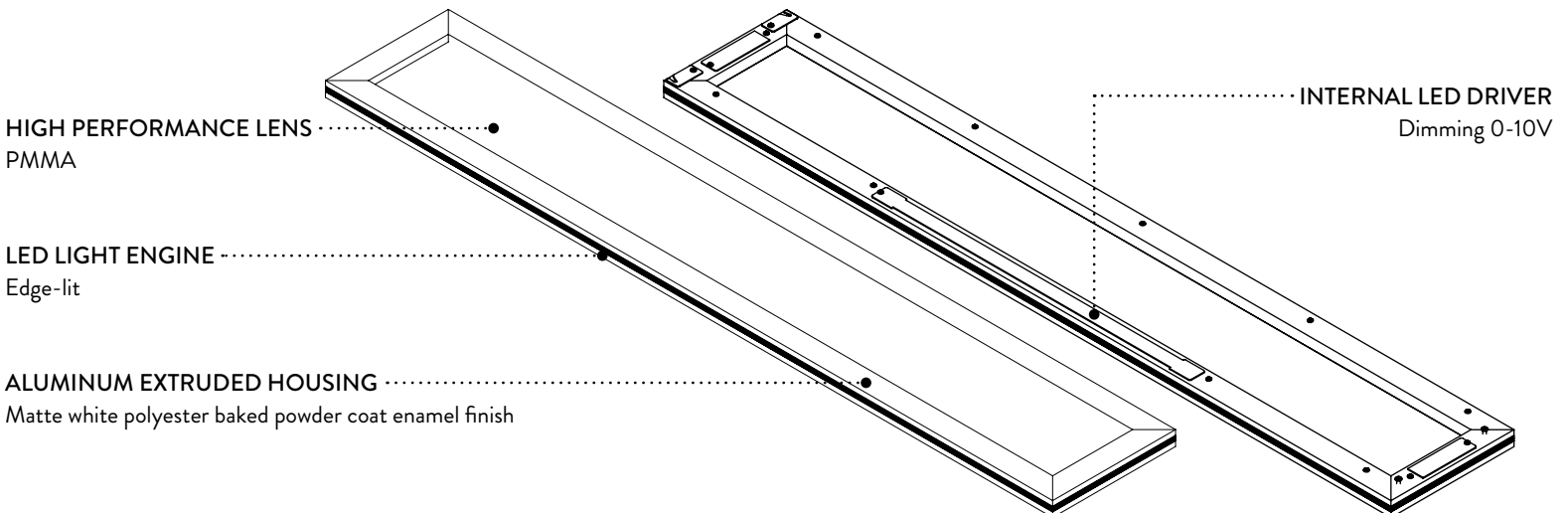
## DIMENSIONS

2019-07-17

SIZE	L	W	H	MTG L	MTG W
4FT	47.25"	8.00"	1.00"	43.90"	5.10"
4FT	47.25"	12.00"	1.00"	43.90"	9.05"
8FT	94.50"	8.00"	1.00"	91.20"	5.10"



## ANATOMY



PROJECT:  
CAT.NO:  
NOTES:

DATE:  
TYPE:  
VOLTS:

**TEKNO**  
SERIES

# ATHTP

## WATTAGE & EFFICACY

2019-07-17

CATALOGUE NUMBER	LUMENS (lm)	CCT (K)	WATTAGE (W)	EFFICACY (lm/W)
ATHTP-08-4-40W-35K-MV	4200	3500K	40	106
ATHTP-08-4-40W-40K-MV	4200	4000K	40	105
ATHTP-08-4-40W-50K-MV	4200	5000K	40	105
ATHTP-08-8-80W-35K-MV	8600	3500K	81	106
ATHTP-08-8-80W-40K-MV	8400	4000K	80	105
ATHTP-08-8-80W-50K-MV	8400	5000K	80	105
ATHTP-12-4-54W-35K-MV	5900	3500K	55	108
ATHTP-12-4-54W-40K-MV	6000	4000K	55	109
ATHTP-12-4-54W-50K-MV	6000	5000K	55	110

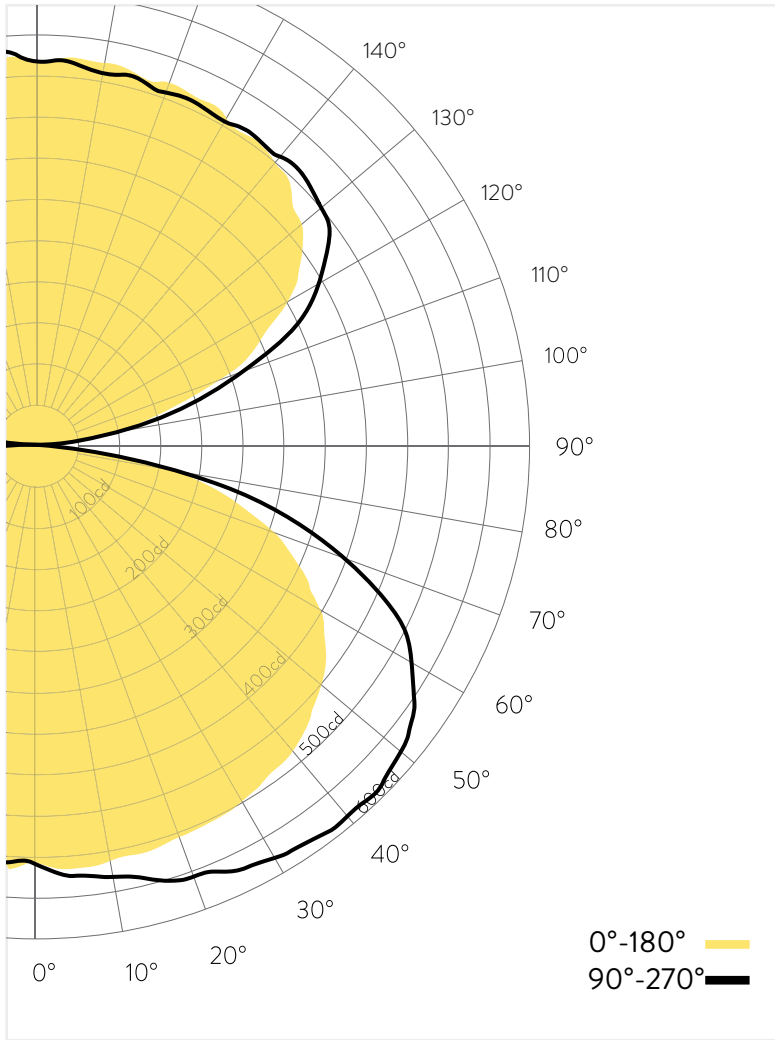
PROJECT:  
CAT.NO:  
NOTES:

DATE:  
TYPE:  
VOLTS:

2019-07-17

# ATHTP

CAT NO: ATHTP-08-4-40W-35K



## ZONAL LUMEN SUMMARY

Zone	Lumens
0.00° - 10.00°	49.00
10.00° - 20.00°	145.94
20.00° - 30.00°	238.77
30.00° - 40.00°	321.35
40.00° - 50.00°	383.92
50.00° - 60.00°	412.17
60.00° - 70.00°	383.73
70.00° - 80.00°	266.94
80.00° - 90.00°	69.87
90.00° - 100.00°	32.88
100.00° - 110.00°	186.62
110.00° - 120.00°	328.46
120.00° - 130.00°	382.30
130.00° - 140.00°	358.94
140.00° - 150.00°	296.38
150.00° - 160.00°	218.45
160.00° - 170.00°	133.38
170.00° - 180.00°	44.84
0.00° - 90.00°	2,271.70
90.00° - 180.00°	1,982.26
0.00° - 180.00°	4,253.96

## CONE OF LIGHT

Mtg Height	Light Level	Beam Diameter
6.0 ft	14.0 fc	0.0 ft
8.0 ft	7.9 fc	0.0 ft
10.0 ft	5.0 fc	0.0 ft
12.0 ft	3.5 fc	0.0 ft
15.0 ft	2.2 fc	0.0 ft

## AVERAGE LUMINAIRE LUMINANCE (CD/M2)

	0.00°	45.00°	90.00°
0.00°	2,095	2,095	2,095
45.00°	2,379	2,825	3,412
55.00°	2,524	3,117	3,972
65.00°	2,592	3,316	4,595
75.00°	2,416	2,985	4,519
85.00°	1,245	1,003	1,581

## INDOOR CU TABLE

	pfc	20.00%	20.00%	20.00%	20.00%	20.00%	20.00%	20.00%	20.00%	20.00%	20.00%	20.00%	20.00%	20.00%	20.00%
	pcc	80.00%	80.00%	80.00%	80.00%	70.00%	70.00%	70.00%	70.00%	50.00%	50.00%	50.00%	30.00%	30.00%	10.00%
	pw	70.00%	50.00%	30.00%	10.00%	70.00%	50.00%	30.00%	10.00%	50.00%	30.00%	10.00%	50.00%	30.00%	10.00%
	0.00	107.95	107.95	107.95	107.95	100.02	100.02	100.02	100.02	85.22	85.22	85.22	71.68	71.68	59.25
	1.00	97.35	92.47	88.10	84.16	89.88	85.67	81.87	78.43	72.94	70.11	67.52	61.25	59.18	50.47
	2.00	87.68	79.45	72.64	66.92	80.73	73.58	67.61	62.54	62.56	58.02	54.09	52.40	49.01	43.00
	3.00	79.29	68.88	60.83	54.41	72.87	63.80	56.68	50.94	54.22	48.72	44.19	45.36	41.18	37.14
	4.00	72.05	60.29	51.69	45.11	66.15	55.87	48.21	42.29	47.51	41.52	36.77	39.76	35.14	32.54
RCR	5.00	65.78	53.24	44.48	38.01	60.39	49.37	41.53	35.67	42.05	35.84	31.08	35.23	30.39	28.86
	6.00	60.32	47.38	38.70	32.47	55.40	43.98	36.18	30.50	37.53	31.29	26.63	31.51	26.59	25.87
	7.00	55.57	42.48	34.00	28.06	51.06	39.48	31.82	26.39	33.77	27.59	23.09	28.42	23.50	23.40
	8.00	51.40	38.35	30.14	24.50	47.28	35.68	28.24	23.06	30.59	24.54	20.22	25.82	20.97	21.32
	9.00	47.74	34.83	26.93	21.59	43.96	32.45	25.26	20.34	27.90	22.01	17.88	23.61	18.85	19.56
	10.00	44.51	31.83	24.23	19.18	41.03	29.68	22.76	18.09	25.58	19.88	15.94	21.71	17.08	18.05